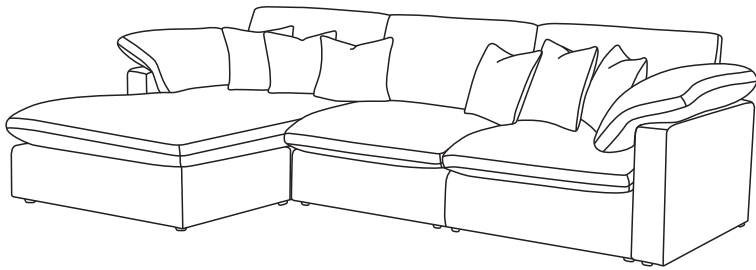
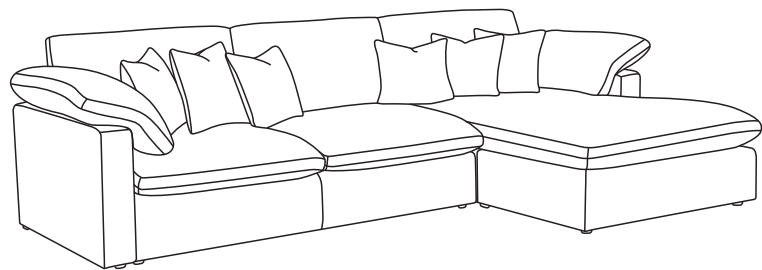


ASSEMBLY INSTRUCTION

ITEM NO.: 2277


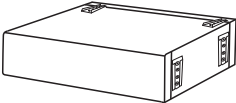
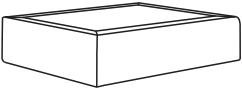
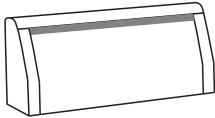
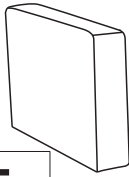
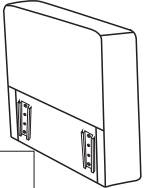

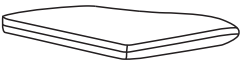


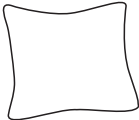


-L




-R

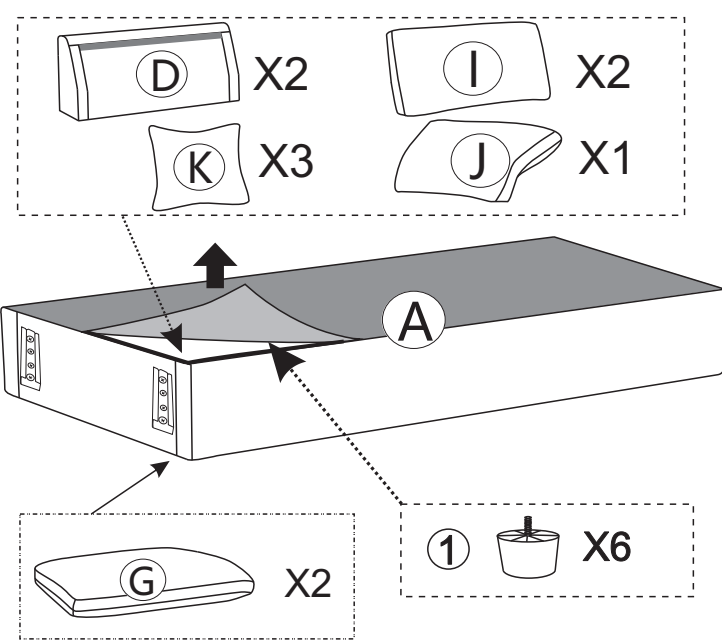
PARTS LIST

					
A X1	B X1	C X1	D X3	E X1	F X1
					
G X2	H X1	I X3	J X2	K X6	

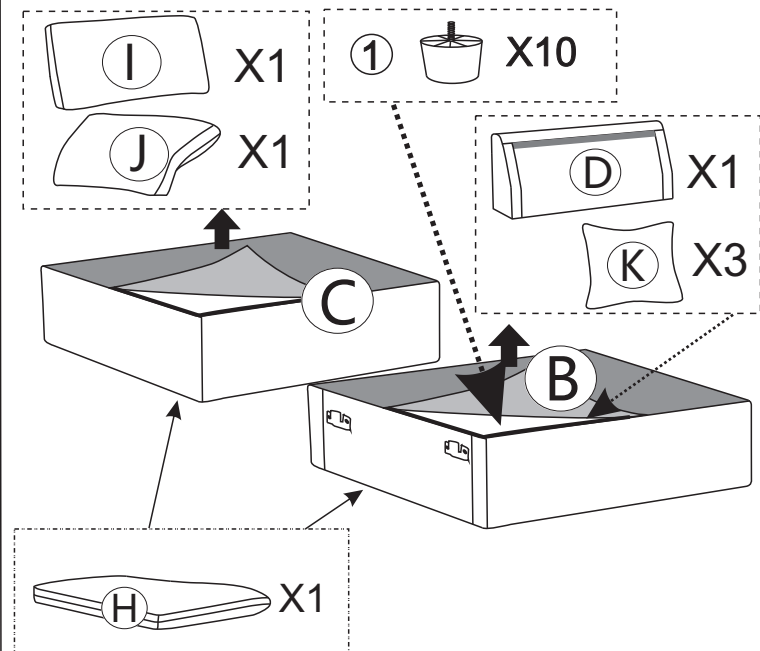
HARDWARE LIST

	
1 X16	

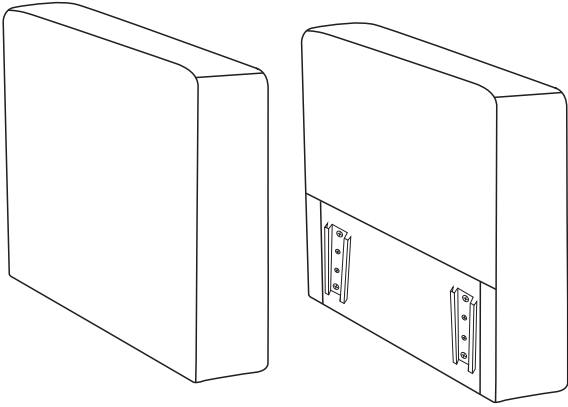
BOX-1



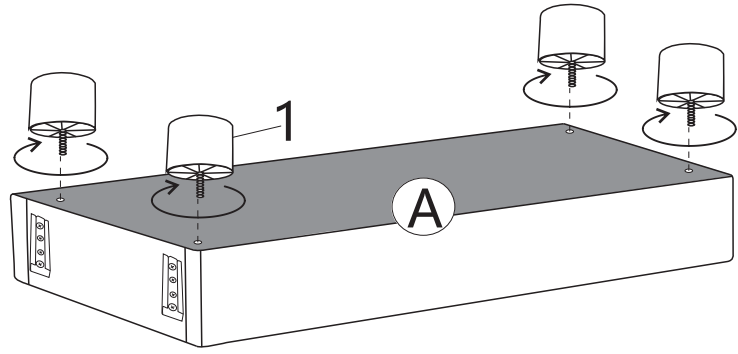
BOX-2



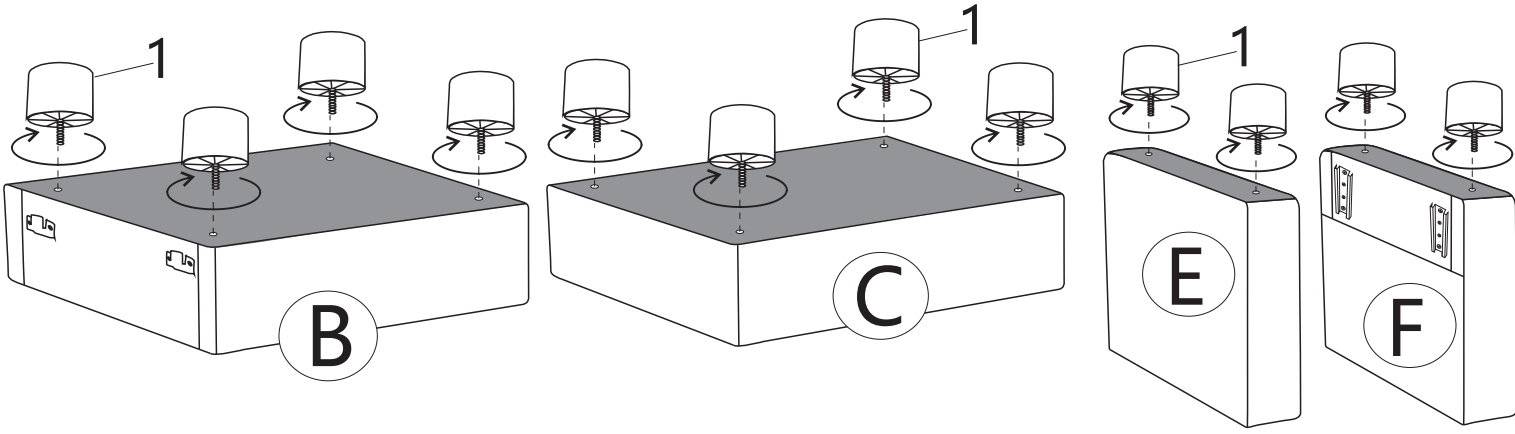
BOX-3



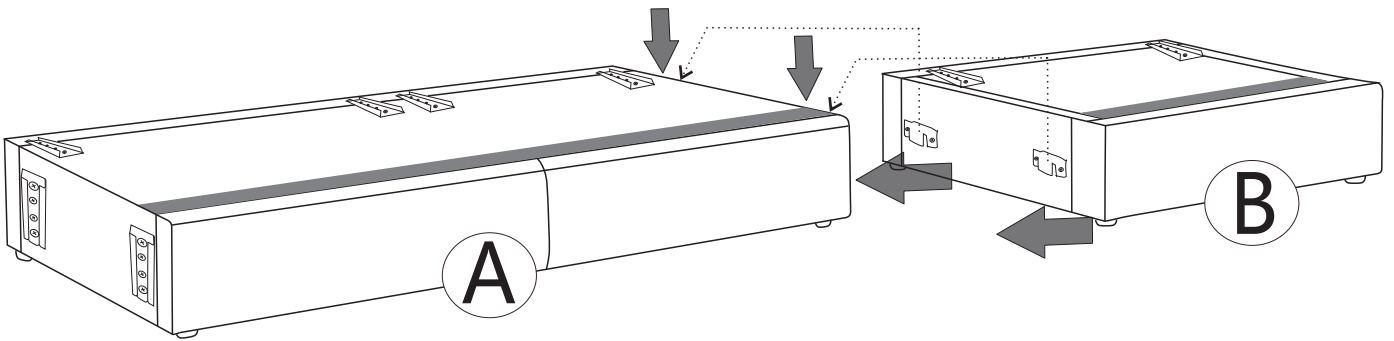
Step1-L/R



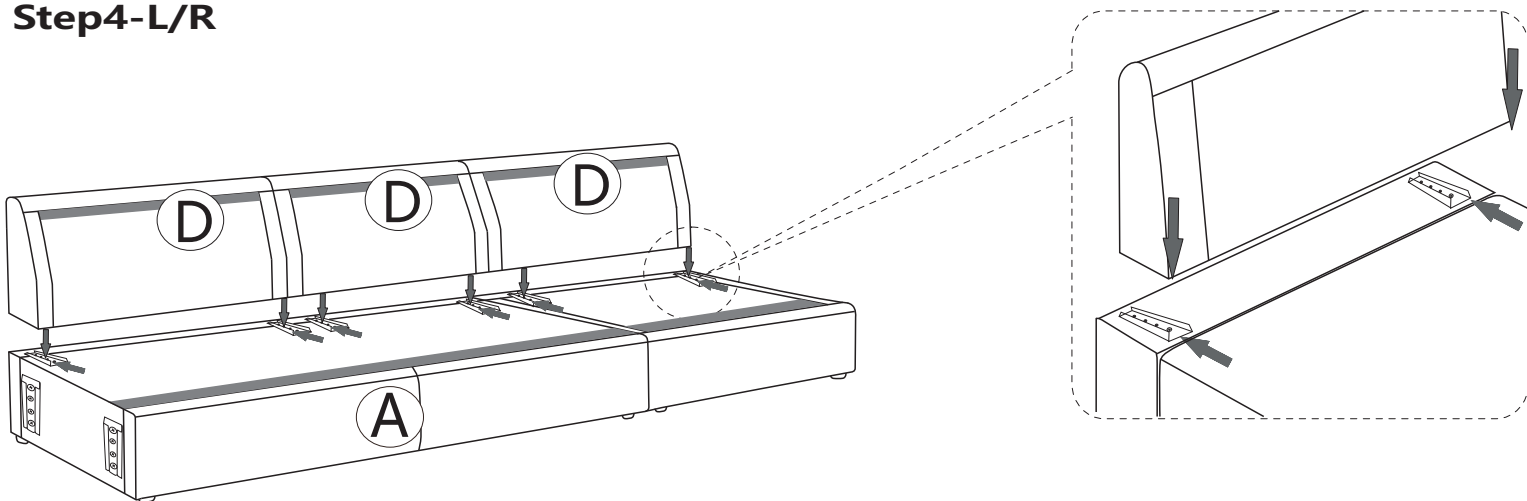
Step2-L/R



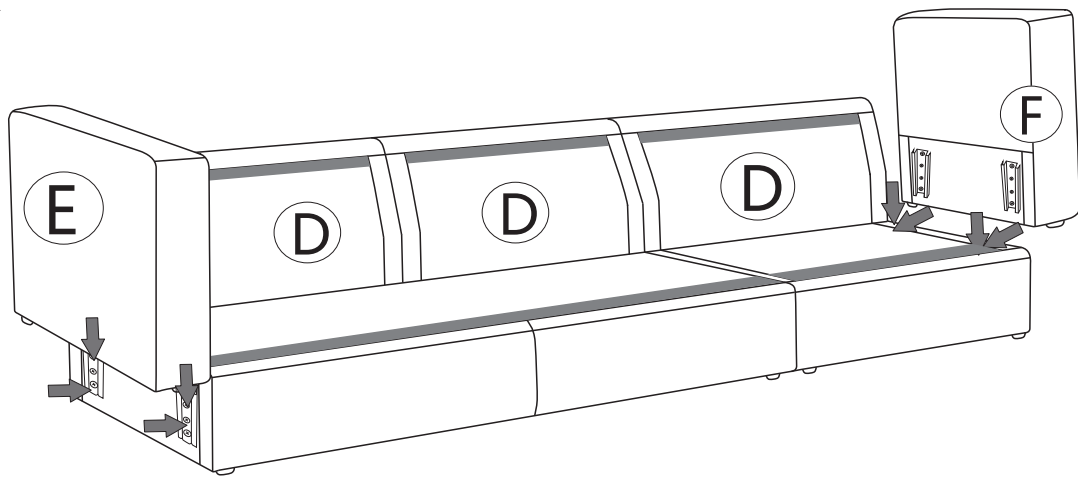
Step3-L/R



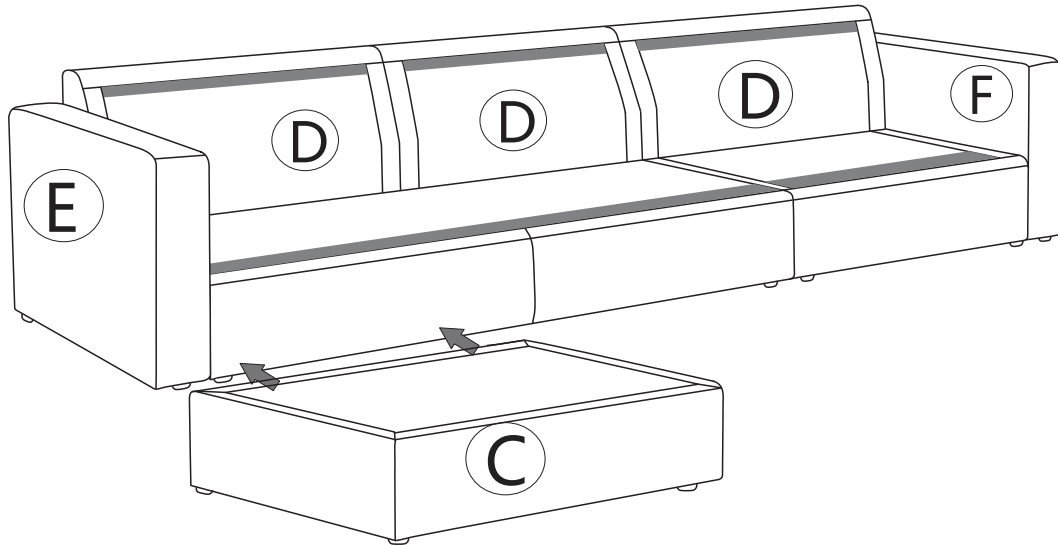
Step4-L/R



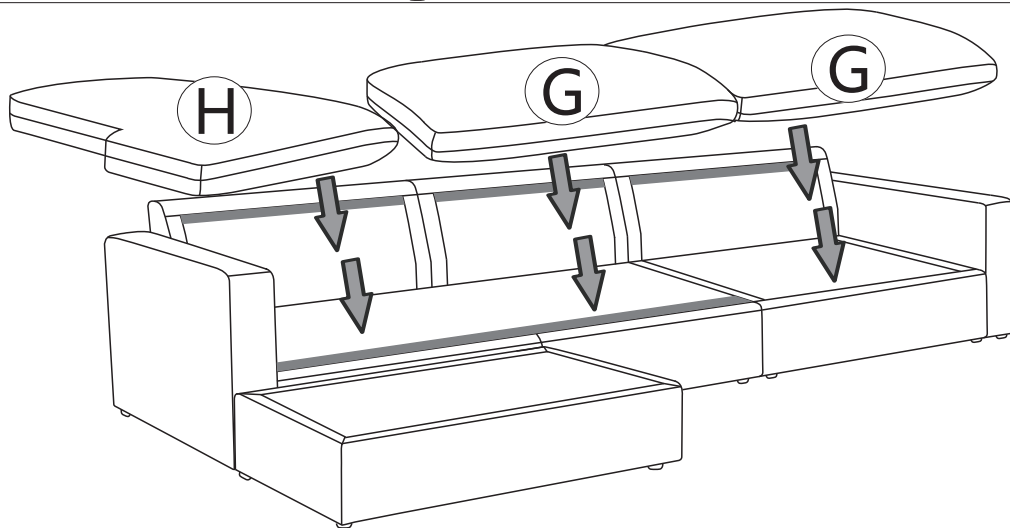
Step5-L/R



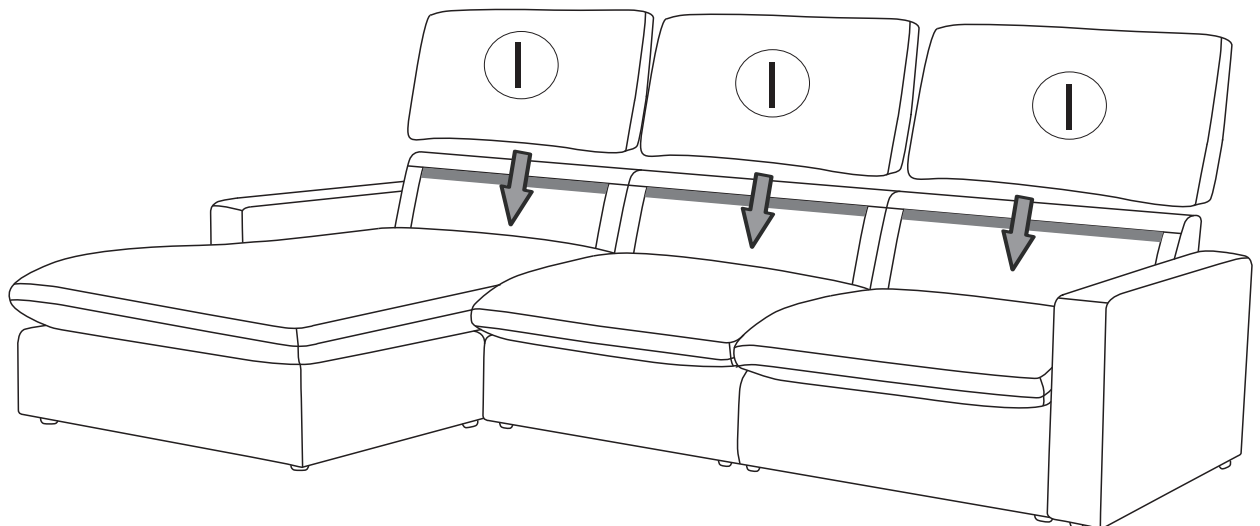
Step6-L



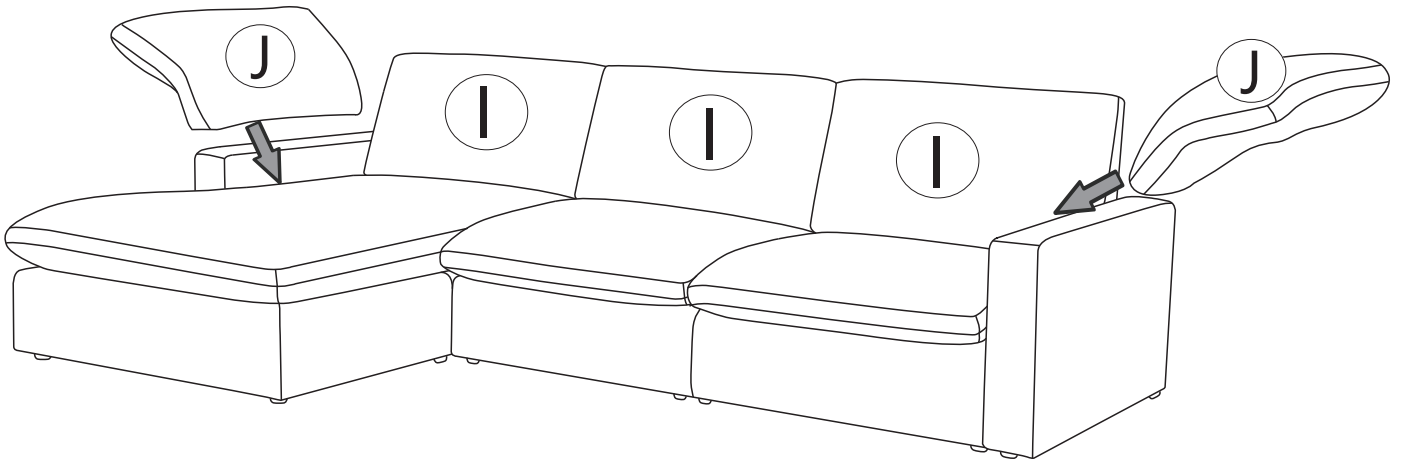
Step7-L



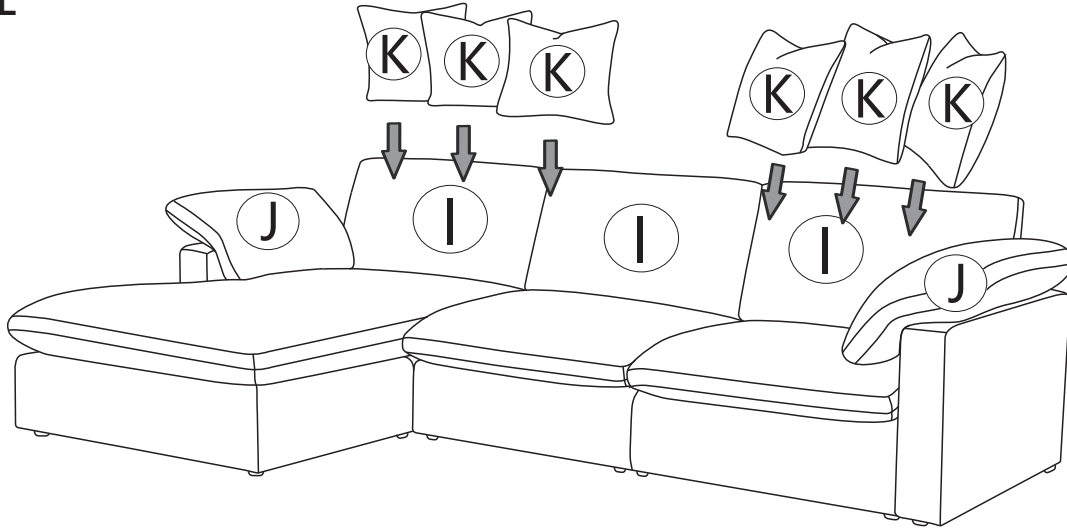
Step8-L



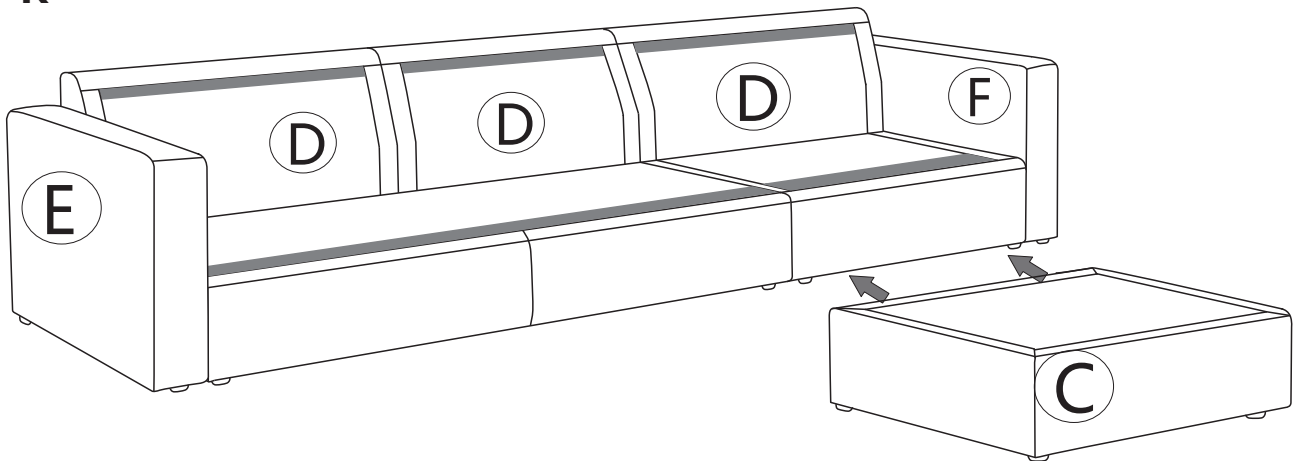
Step9-L



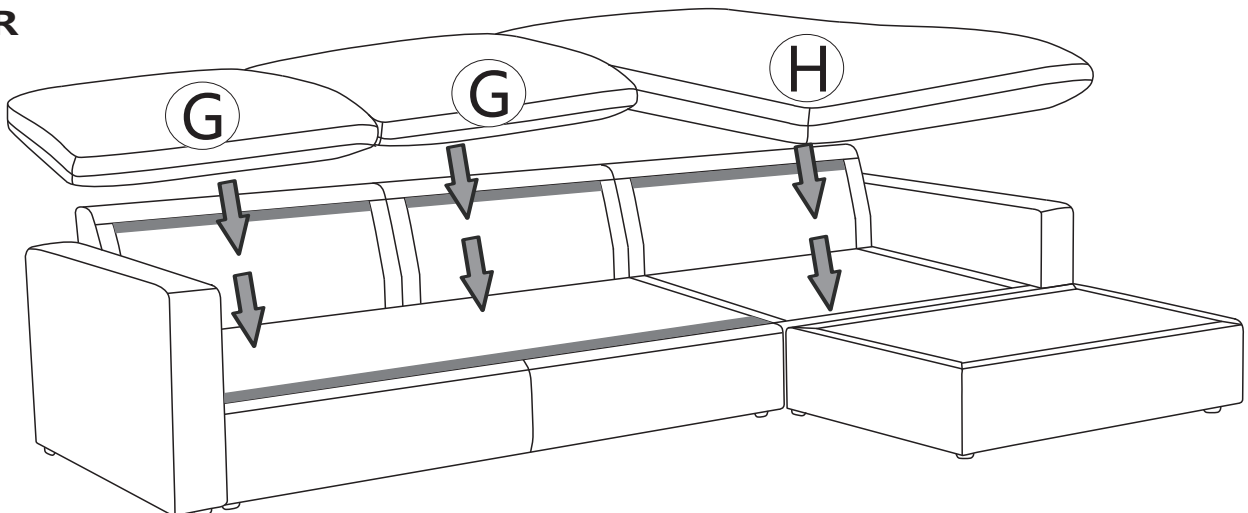
Step10-L



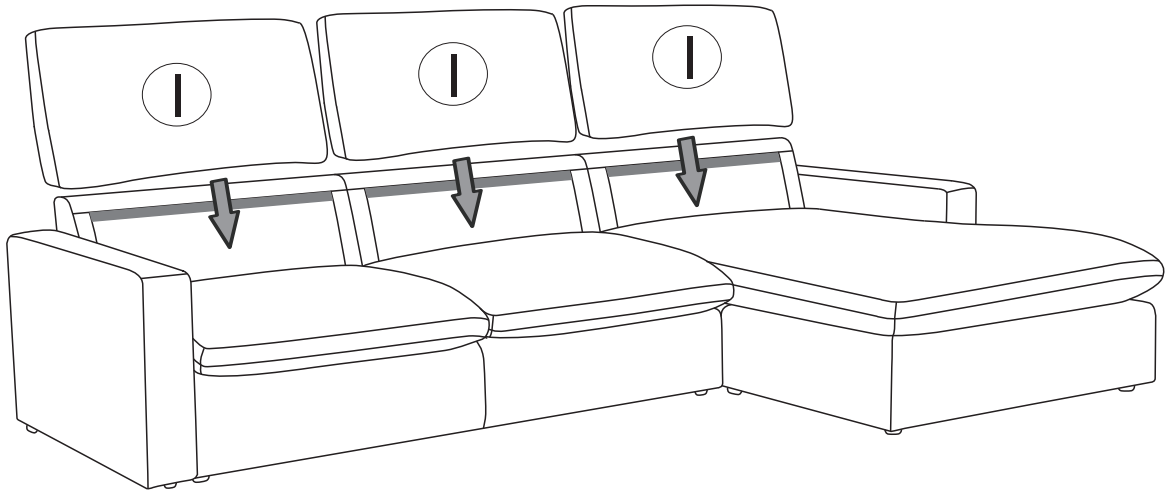
Step6-R



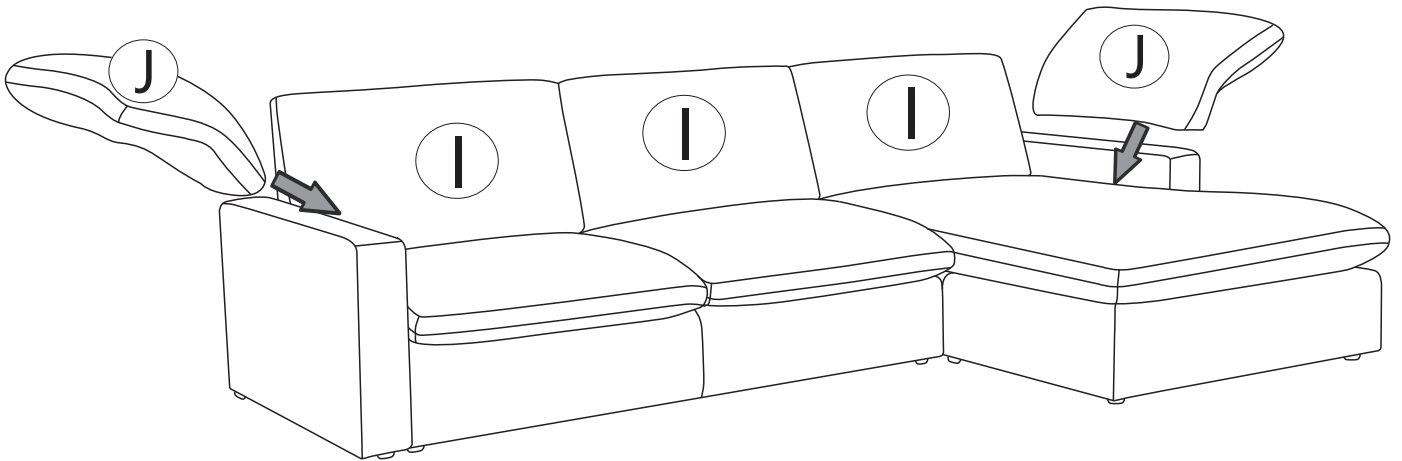
Step7-R



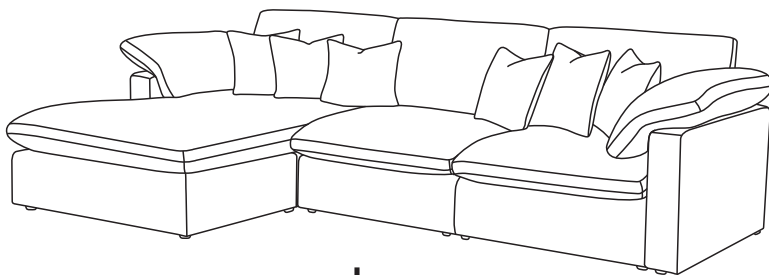
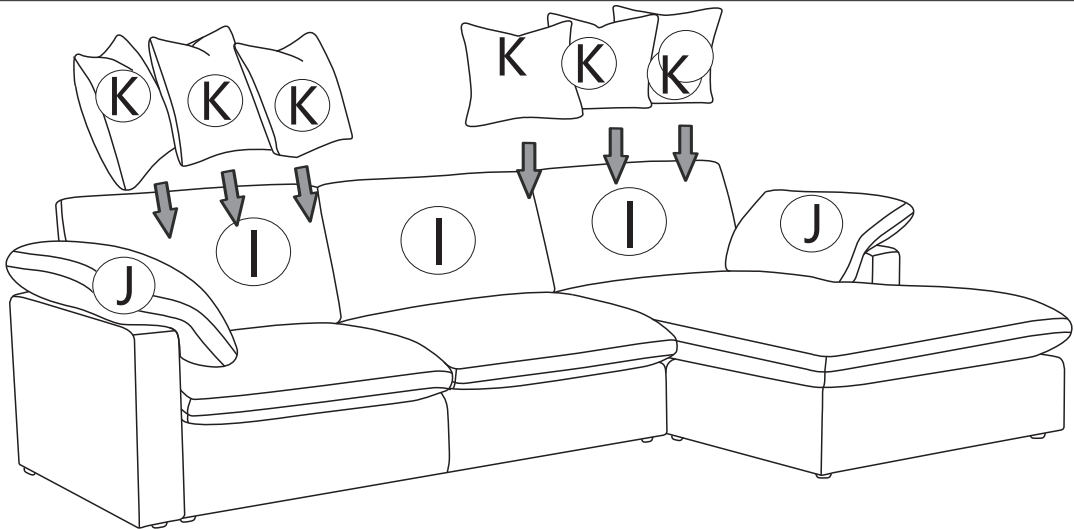
Step8-R



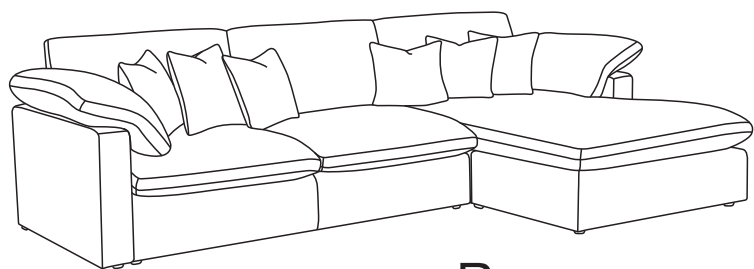
Step9-R



Step10-R



-L



-R